



Toll Free: 1-800-579-8088 Web: www.zinko.com

MODEL

# ZSJ-10A

## 1 Ton Aluminum Racing Car Service Jacks

### Operating Instructions & Repair Parts List

#### Operation

The owner and/or operator shall have an understanding of these operating instructions and warnings before operating the jack. Warning information shall be emphasized and understood. If the operator is not fluent in English, the instructions and warning shall be read to and discussed with the operator in the operator's native language by the purchaser/owner, making sure that the operator comprehends its contents.

#### Assembly Instructions

##### How to Assemble Complete Jack

Please take note before assembly of jack. After receiving the package, please check to make sure all accessories are included and complete.

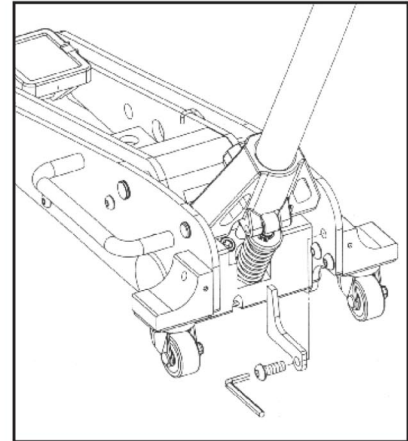
##### To Assemble the Handle Bracket

Assemble as the drawing's direction and method instructed. There are three bolts between the seat of the rear caster and chassis, the top one is unfastened for assembling.

##### How To Put Pumping Handle Into Handle Socket

Remove Hex Head bolt of handle socket and put pump handle into handle socket hole, connect with universal joint of release valve. Then tighten bolt.

After finishing the steps above, the jack is ready for operation.



#### Operator Responsibility

It is the operator's responsibility to read and understand all of the following safety statements:

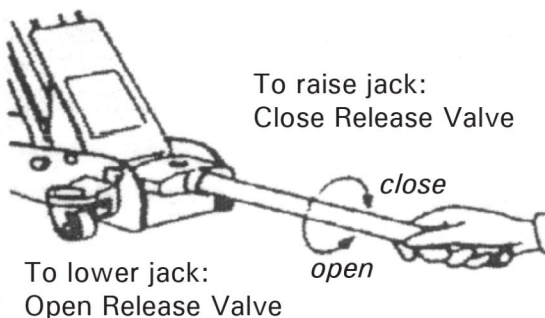
#### WARNING

1. This is designed for lifting vehicles and not for any other purpose.
2. The vehicle owner's manual should be consulted prior to jacking up of a vehicle.
3. Jack **MUST BE USED ON SOLID, LEVEL GROUND**. The wheels of the vehicle must be in a parallel position.
4. **NO PERSON SHOULD REMAIN IN A VEHICLE THAT IS BEING JACKED UP.**
5. When lifting a vehicle, be sure to place the center of the jack saddle right on the axle.
6. After lifting a vehicle, **BE SURE TO PLACE SAFETY STANDS UNDER THE AXLES.**
7. **NO PERSON SHOULD BE UNDER A VEHICLE THAT IS SUPPORTED ONLY BY A JACK.**
8. **NEVER MOVE THE JACK WHILE IT IS SUPPORTING A VEHICLE.**
9. When lowering a vehicle, make sure nobody is near or under the vehicle. Slowly lower vehicle with special attention to the position of the jack saddle.
10. Safety valve is factory adjusted and no further adjustment is required.
11. While not in use, always keep the handle straight up and locked so that it won't fall.
12. Fully release hand brake before lifting vehicle.

#### Operating Instructions

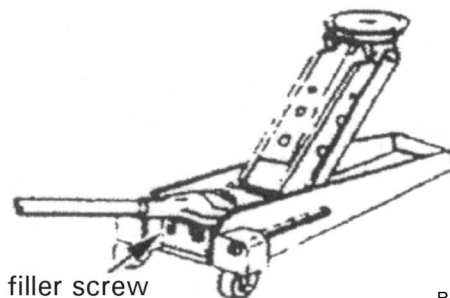
Please clear up the air inside before starting operation of the jack.

1. Open the release valve by pumping.
2. Lower lifting arm to the lowest point and put the jack in the proper position, close the release valve by turning clockwise, then pump. The car will raise up.
3. Release valve will be opened by turning handle counterclockwise and lifting arm will be lowered to the lowest position.
4. If necessary to add more hydraulic oil into the reservoir, use a Phillips head screwdriver to release bolt #62. Use Esso SAE 10 hydraulic oil or equivalent.



To raise jack:  
Close Release Valve

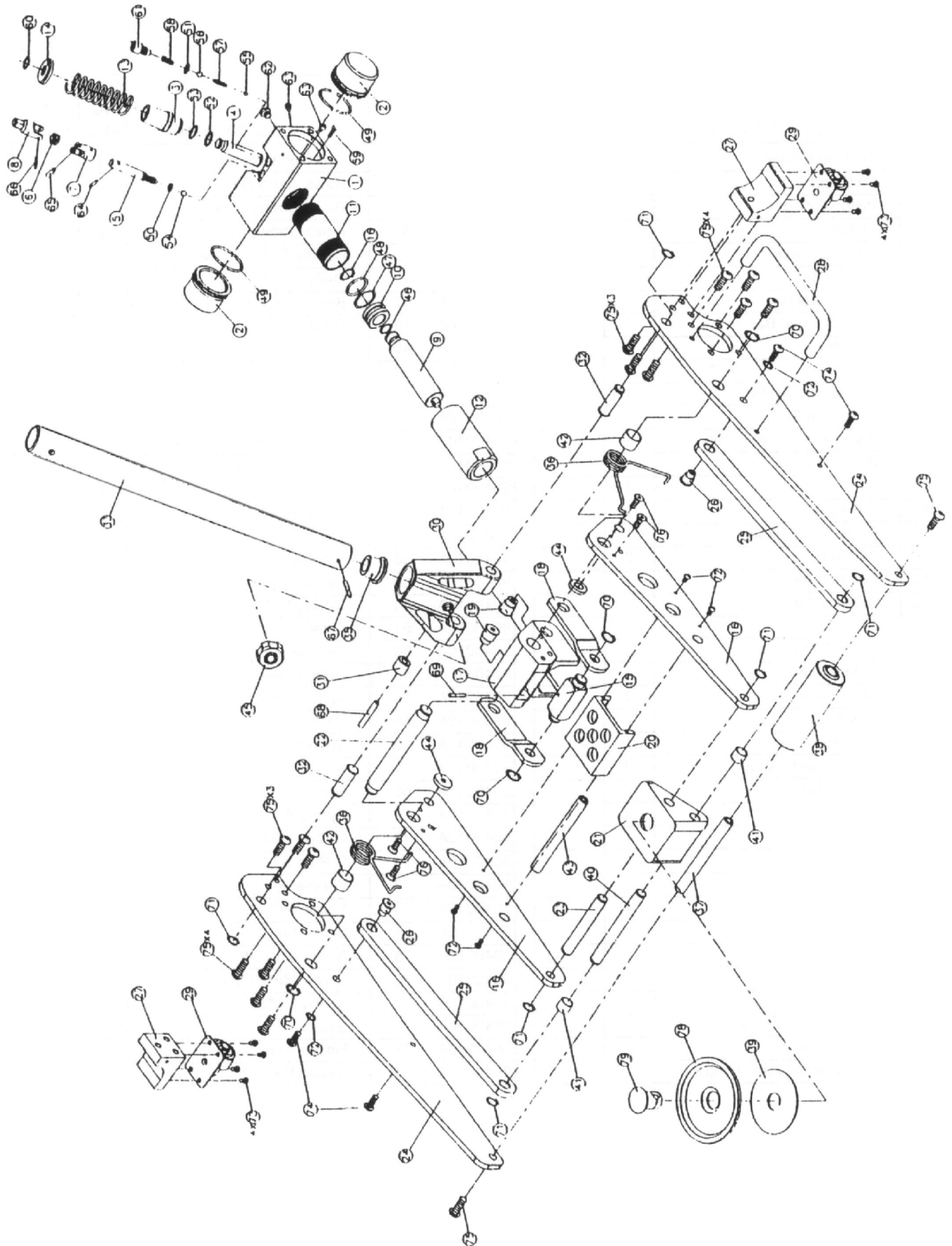
To lower jack:  
Open Release Valve



Oil filler screw

# Zinko Hydraulic Jack

Model: ZSJ-10A



# Zinko Hydraulic Jack

Model: ZSJ-10A

Part #	Description
9040010A-01	Aluminum Base
9040010A-02	Oil Cover
9040010A-03	Piston Cylinder
9040010A-04	Piston
9040010A-05	Release Valve
9040010A-06	Control Bar
9040010A-07	"U" Control Bar
9040010A-08	Control Valve Bar
9040010A-09	Cylinder
9040010A-10	Bush
9040010A-11	Hydraulic Cylinder
9040010A-12	Aluminum Bar
9040010A-13	Piston Extension Spring
9040010A-14	Piston Cover
9040010A-15	Cylinder Axis
9040010A-16	Raise Arm (L & R)
9040010A-17	Raise Arm's Base
9040010A-18	Pull Rod
9040010A-19	Pull Rod Axis
9040010A-20	Support Plank
9040010A-21	Saddle Base
9040010A-22	Raise Arm's Axis
9040010A-23	Holder Axis
9040010A-24	Left Frame
9040010A-25	Link Rod
9040010A-26	Link Rod Axis
9040010A-27	Rear Wheel Saddle
9040010A-28	Handle Bar
9040010A-29	Rear Wheel Set
9040010A-30	Handle Base
9040010A-31	Piston Roll Wheel
9040010A-32	Handle Base Axis
9040010A-33	Handle (A)
9040010A-35	Handle Gear Base
9040010A-36	Turn Spring (L & R)
9040010A-37	Front Wheel Axis
9040010A-38	Front Caster Wheel
9040010A-39	Nylon Washer
9040010A-40	Saddle Base Axis (Long)

Part #	Description
9040010A-41	Link Rod Washer
9040010A-42	Raise Arm's Bush
9040010A-43	Patch Strong Axis
9040010A-44	Patch Strong Ring
9040010A-45	Handle Base Screw
9040010A-46	*O-Ring P15
9040010A-47	*Back Seal P30
9040010A-48	*O-Ring P30
9040010A-49	*O-Ring G55
9040010A-50	*O-Ring P9
9040010A-51	Brass Wash
9040010A-52	*O-Ring P18
9040010A-53	*Back Seal P18
9040010A-54	Steel Ball 8mm
9040010A-55	Steel Ball 5.5mm
9040010A-56	Steel Ball 8mm
9040010A-57	L-Spring
9040010A-58	H-Spring
9040010A-59	Oil Net
9040010A-60	C-Ring S15
9040010A-61	Screw (H)
9040010A-62	Oil Screw
9040010A-63	Lock Screw
9040010A-64	Spring Pin 4mm
9040010A-65	Pin 6mm
9040010A-66	Spring Pin 3
9040010A-67	Spring Pin 5 (Long)
9040010A-68	Spring Pin 8
9040010A-69	Spring Pin 5 (Short)
9040010A-70	C-Ring S20
9040010A-71	C-Ring S16
9040010A-72	Washer 8*12
9040010A-73	Screw M6*10
9040010A-74	Screw M8*20
9040010A-75	Screw M10*25
9040010A-76	Screw M8*20 (A)
9040010A-77	Screw M6*16
9040010A-78	Saddle
9040010A-79	Holder Axis
9040010A-RP	*Repair Kits (All*)

# Zinko Hydraulic Jack

Model: ZSJ-10A

## WARNING

1. **USE THE JACK FOR LOADING UNDER RATED CAPACITY ONLY.** Do not overload, otherwise a dangerous situation may arise.
2. The jack should be used for lifting the car to change the tires only. **SUPPORT A LOAD WITH JACK STANDS ONCE THE LOAD HAS BEEN LIFTED. STAY CLEAR OF LIFTED LOADS.**
3. Center the load on the jack saddle. Off center loads can damage the seals causing jack failure.
4. **LIFT ONLY DEAD WEIGHT.**
5. **JACK IS TO BE USED BY PROFESSIONAL PERSONNEL ONLY.** To prevent dangerous situations that may occur, use by non-professional personnel is not recommended, especially children.

### Filling/Bleeding the Hydraulic Oil

*Tools required:* #3 Phillips head screwdriver  
8 mm Allen socket  
#10 hydraulic oil

### Instructions

**Fill** – plug is the #3 Phillips head screw to the left of the pump piston on the back of the jack reservoir.

**Bleed** – check the 8mm Allen socket plug on the top of reservoir to the left of the valve adjustment shaft.

1. Clean around both plugs.
2. Stand and support the jack on its nose.
3. Remove Phillips screw and fill reservoir to the top with hydraulic jack oil (#10). Then replace Phillips screw and lower jack to the ground.
4. "Crack" the 8mm plug on the top.
5. Use the lower half of the jack handle to close the bleed valve, then pump the jack slowly. The pad should move up slowly and oil should come out around the 8mm plug.
6. If the oil has air bubbles, open the 8mm plug a tiny bit more and continue to pump the jack SLOWLY for several strokes. If you are still getting air, close the 8mm plug, stand jack on its nose again and top off oil through fill plug. Repeat until air bubbles cease, then close both plugs.
7. Lower jack all the way, then pump pad up to the top while counting the strokes. If it takes 6 strokes to reach the top (3 strokes for ZSJ-15A3), the oil is full and the air has been bled out.
8. Use for a few weeks and the recheck for air by repeating the full process.

NOTE: If you try to repair pieces inside 8mm plug hole, they are VERY easy to damage or lose. BE CAREFUL.

### Maintenance and Cares

CHECK POINTS	CHECK ITEM	REMARKS
Arm	Functional condition - pump the jack to its full lifting height with no load. Then check for smooth action of the lift arm.	Lubricate pin and functional portions. Replace distorted or damaged parts.
Front Wheel	Functional condition.	Lubricate functional portion. Replace damaged or worn-out parts.
Rear Wheel	Functional condition.	Lubricate functional portion. Replace damaged or worn-out parts. Tighten loose bolts securely.
Power Unit	Proper oil level. Oil leakage.	Supply oil if necessary (replace oil in the reservoir at least once a year). Replace packing.
Handle	Functional condition and loose.	Lubricate pin and functional portions. Tighten loose bolts securely. Replace damaged parts.

NOTE: 1) Oil for functional portion: lubricating oil.

2) Oil for jack: bearing oil TSO VG 10. Never use brake fluid or any other high viscosity or volatile oil.

# Zinko Hydraulic Jack

## Model: ZSJ-10A

### Installing Dirt Track Stabilizer

The dirt track stabilizer is an optional plate that attaches to **ZINKO** models ZSJ-10A & ZSJ-15A series aluminum racing car service jacks, and is intended for use on non-paved surfaces. It is made of aluminum and applicable to the jacks shipped after May 1, 2000. **The plate is not included with the jack and must be ordered separately.**

P/N for ordering: **9040010A-DTS (ZSJ-10A)**

**9040015A-DTS (ZSJ-15A3 & ZSJ-15A6)**

Weight: 5 lbs.

### Assembly Tool and Part

- 1 - 5mm hex wrench and one drawing instruction.
- 2 - Bolts and washers.

### Assembly Instructions

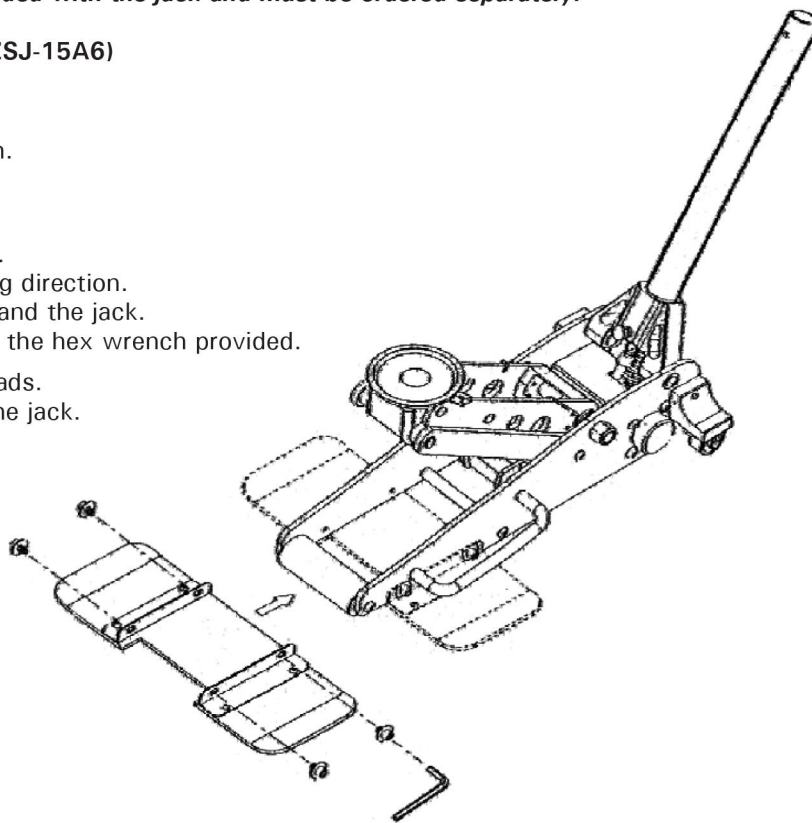
1. Remove plate and bolts from the shipping box.
2. Place the plate beneath the jack as the drawing direction.
3. Line up the pre-drilled holes on both the plate and the jack.
4. Screw in with hex bolts and washers by using the hex wrench provided.

NOTE: Use only the bolts provided to fit the threads.

Other bolts may damage the threads on the jack.

### Disassembly for Storage

To remove the plate from the jack, unscrew the bolts by using the hex wrench. Store the plate and bolts, washers, and hex wrench in the original shipping box.



### Troubleshooting

PROBLEM	POSSIBLE CAUSE	SOLUTION
Jack Will Not Lift	<ol style="list-style-type: none"><li>1) Release valve not properly closed.</li><li>2) No oil in the system.</li><li>3) Delivery valve and/or bypass valve malfunctioning (valve ball not properly seated).</li><li>4) Packing worn out or defective.</li></ol>	<ol style="list-style-type: none"><li>1) Tighten securely.</li><li>2) Fill to prescribed level.</li><li>3) Clean to remove dirt or foreign matter and replace oil.</li><li>4) Replace packing.</li></ol>
Jack Lifts Only Part Way	<ol style="list-style-type: none"><li>1) Oil level low or too high.</li></ol>	<ol style="list-style-type: none"><li>1) Fill or take excessive oil out.</li></ol>
Jack Lifts, But Will Not Hold Load	<ol style="list-style-type: none"><li>1) Either of the following valves not functioning: a) suction valve, b) delivery valve, c) release valve, d) bypass valve.</li><li>2) Packing worn out or defective.</li></ol>	<ol style="list-style-type: none"><li>1) Inspect valves. Clean and adjust seat surface.</li><li>2) Replace packing</li></ol>
Jack Will Not Lower	<ol style="list-style-type: none"><li>1) Release valve not opening.</li></ol>	<ol style="list-style-type: none"><li>1) Clean and adjust release valve.</li></ol>
Poor Lifting	<ol style="list-style-type: none"><li>1) Pump packing defective or valves malfunctioning.</li><li>2) Dirty oil.</li><li>3) Air in hydraulic system.</li></ol>	<ol style="list-style-type: none"><li>1) Replace packing and/or clean valves.</li><li>2) Replace oil.</li><li>3) Purge air from system.</li></ol>
Jack Will Not Lower Completely	<ol style="list-style-type: none"><li>1) Piston rod bent or marred.</li><li>2) Jack spring damaged.</li><li>3) Linksection warped or deformed due to possible overloading.</li></ol>	<ol style="list-style-type: none"><li>1) Replace piston rod.</li><li>2) Replace spring.</li><li>3) Replace the damaged parts.</li></ol>

If the above procedures do not correct the problem, contact your nearest **ZINKO** service facility. When submitting any jack or equipment to be repaired, be sure to state the nature of the problem and indicate whether an estimate of the repair cost is needed.